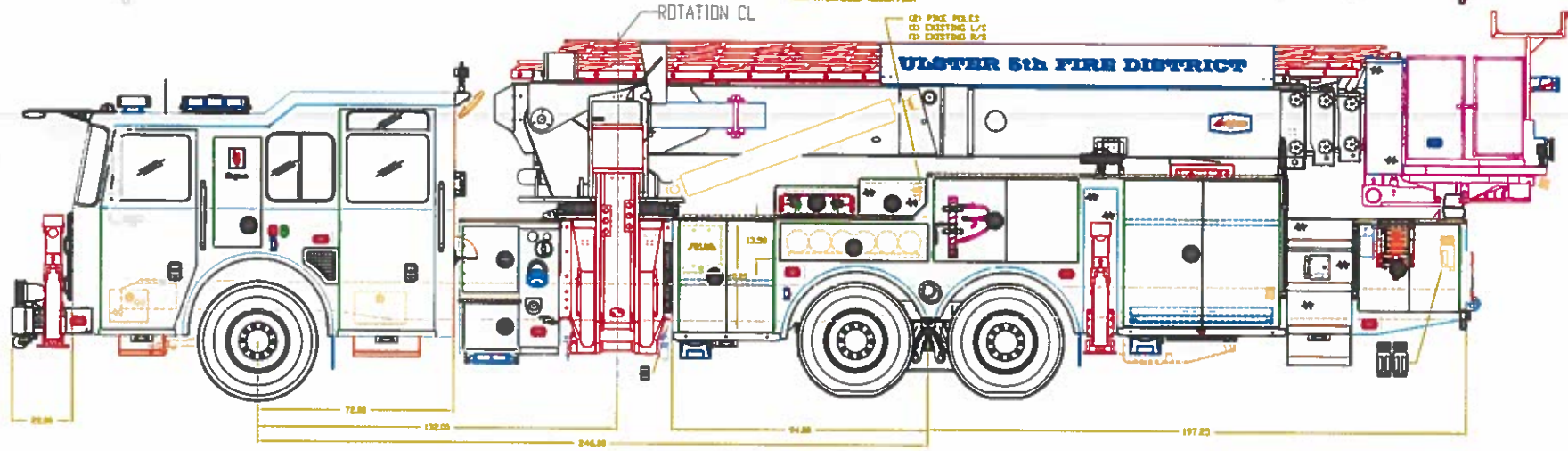
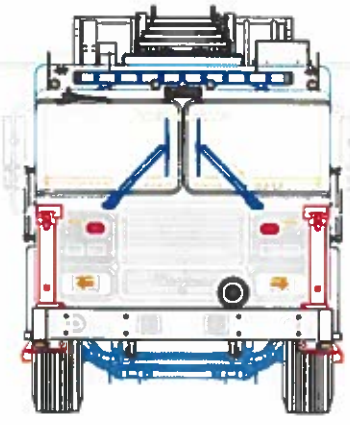
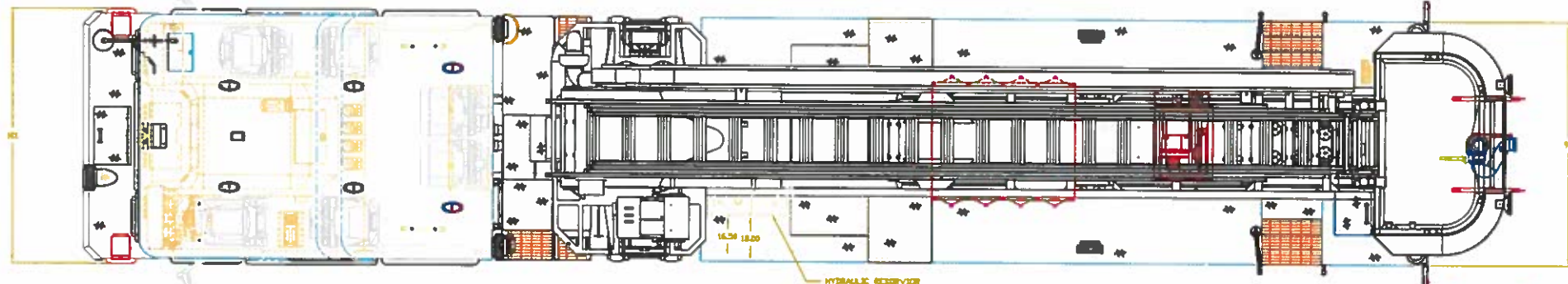
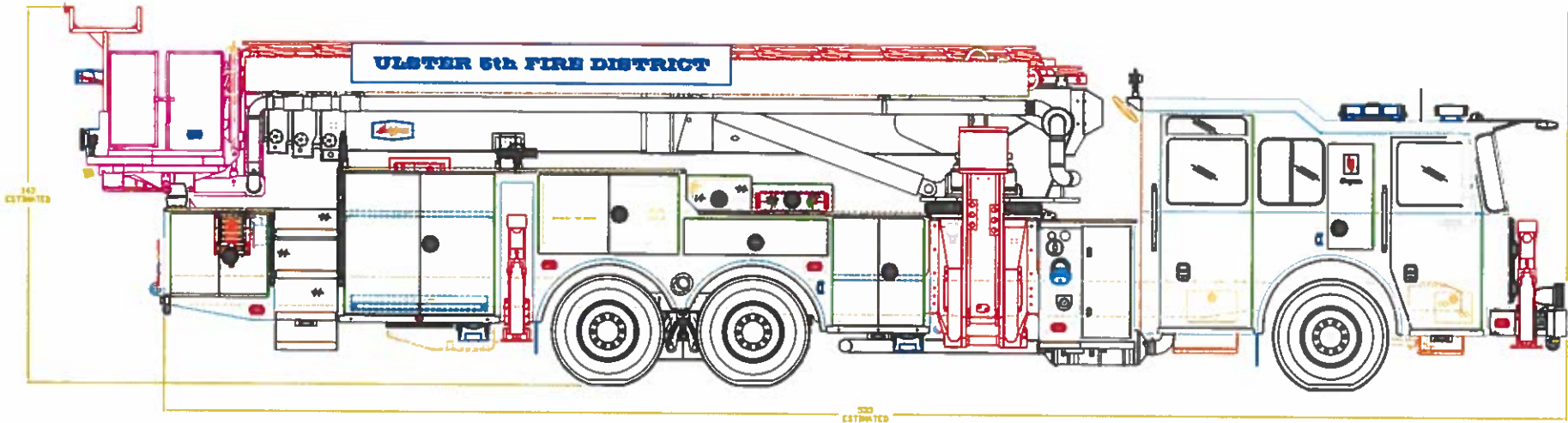


ADD LITE. 16. 18 ALUMINUM TUBES 1700 LADDER  
 ADD LITE. 16. 20 SECTION ALUMINUM TUBES LADDER  
 ADD LITE. 16. 20 SECTION ALUMINUM TUBES LADDER  
 ADD LITE. 16. 20 SECTION ALUMINUM TUBES LADDER  
 ADD LITE. 16. 18 ALUMINUM TUBES 1700 LADDER  
 ADD LITE. 16. 18 ALUMINUM TUBES 1700 LADDER



9	11 NOV 08	CORRECTED REAR ACCESS LADDER GRAB RAILS / PE DRAWING ERROR	R. LAMBRECHT
9	11 NOV 08	ADDED STOKES COMPARTMENT PIKE POLES / PE DRAWING ERROR	R. LAMBRECHT
8	10 NOV 08	REVISED PER S.O.C. B / CHG. BREAKER PANEL LOC. & STOKES COMPARTMENT LAY-OUT, ADDED REAR. SCENES LIGHTS	R. LAMBRECHT
7	9 OCT 08	REMOVED RS FUEL FILL / PE DRAWING ERROR	R. LAMBRECHT
6	15 SEPT 08	REVISED PER S.O.C. C / RELOC. Q2B FRONT GROUND PAD STORAGE	R. LAMBRECHT
5	17 JULY 08	REVISED WHEELBASE TO 246.00	R. LAMBRECHT
4	16 MAY 08	REVISED BODY TO MATCH LATEST DESIGN PER ENGINEERING	R. LAMBRECHT

AERIAL: 95' AERIALSCOPE
FOAM: N/A
WATER: N/A
PUMP: N/A
BODY STYLE: SFA

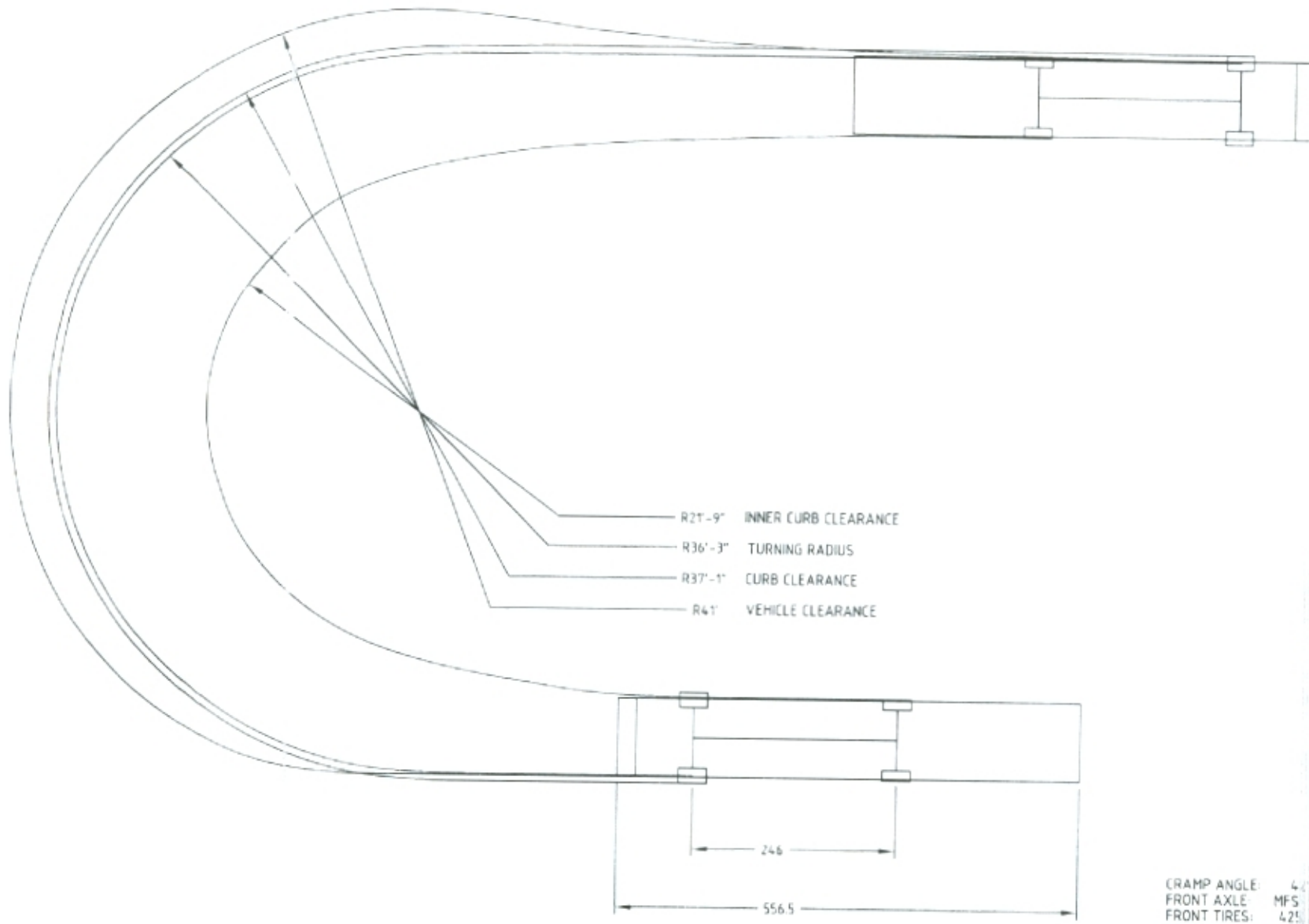
**APPROVED**  
 APPROVAL SIGNATURE: \_\_\_\_\_  
 APPROVAL DATE: \_\_\_\_\_  
 PREPARED BY: RAY LAMBRECHT 10/20/2007  
 (SILENCE APPROVED) BRETT ROMBERG



Seagrave Fire Apparatus, LLC  
 105 E. 12th St  
 Clintonville, WI 54929

ULSTER 5th FIRE DISTRICT  
 (UNOFFICIAL USE ONLY)

DIMENSIONS SHOWN ARE APPROX. & SUBJECT TO MINOR DEVIATIONS AS MAY OCCUR OR BE NECESSARY IN CONSTRUCTION. THE INDICATED VEHICLE HEIGHT REPRESENTS A CALCULATED DIMENSION. THE ACTUAL HEIGHT OF THE UNIT AS SHIPPED FROM THE FACTORY MAY VARY. THE HOSE CAPACITY IS A CALCULATED



- R21'-9" INNER CURB CLEARANCE
- R36'-3" TURNING RADIUS
- R37'-1" CURB CLEARANCE
- R41" VEHICLE CLEARANCE

CRAMP ANGLE: 4°  
 FRONT AXLE: MFS  
 FRONT TIRES: 425  
 REAR AXLE: RT58  
 REAR TIRES: 12R 22.5

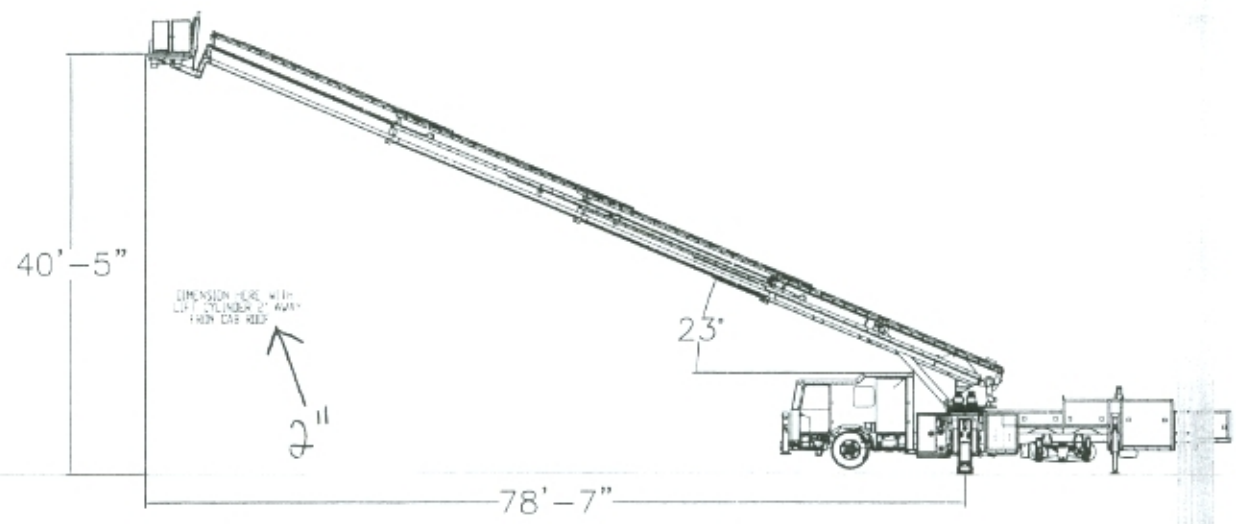
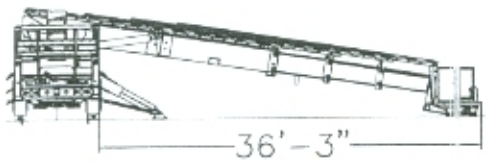
TURNING RADIUS FOR  
ULSTER 5TH FIRE DISTRICT

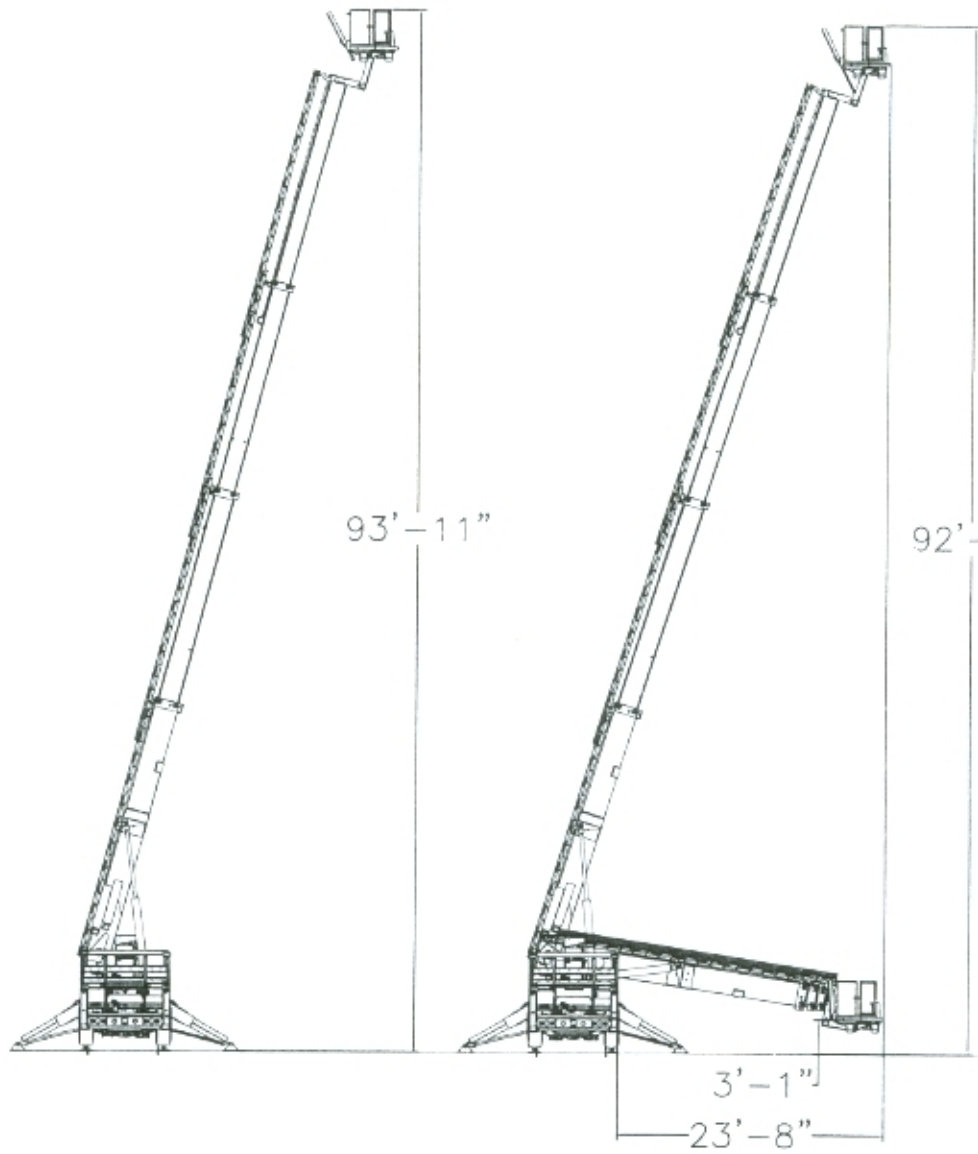
SALES ORDER  
56136

CAR	18' 22" MIB
ENGINE	DETROIT
PUMP	N/A
BODY MATL	A SCOPE
AERIAL	10' 12000



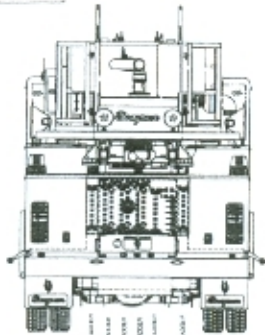
DRAWN BY:	P JW
DATE:	08/22/2007
1458 TURN RAD	



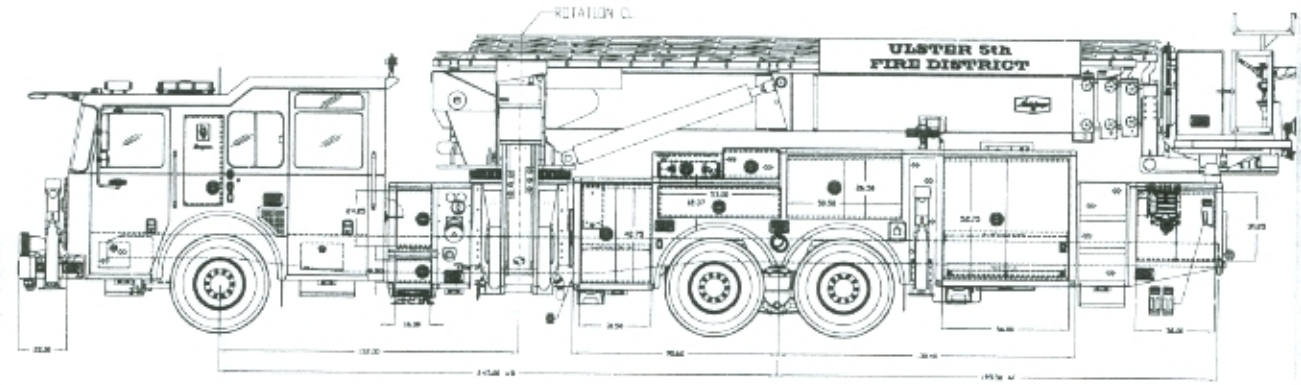
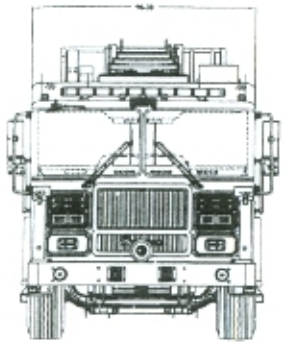
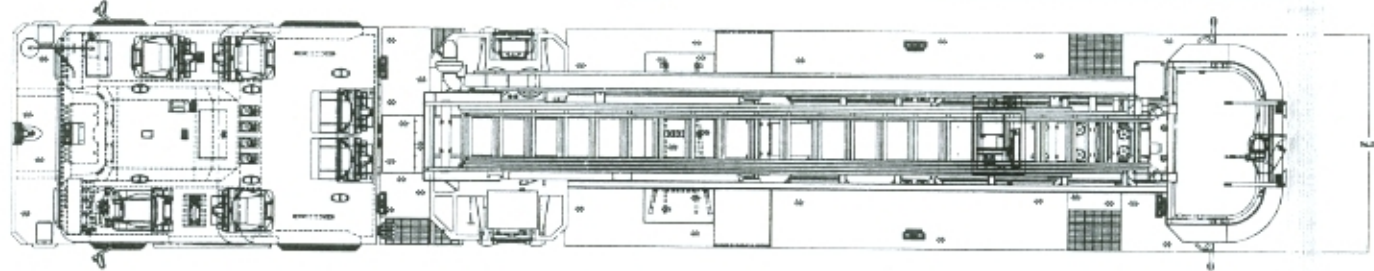
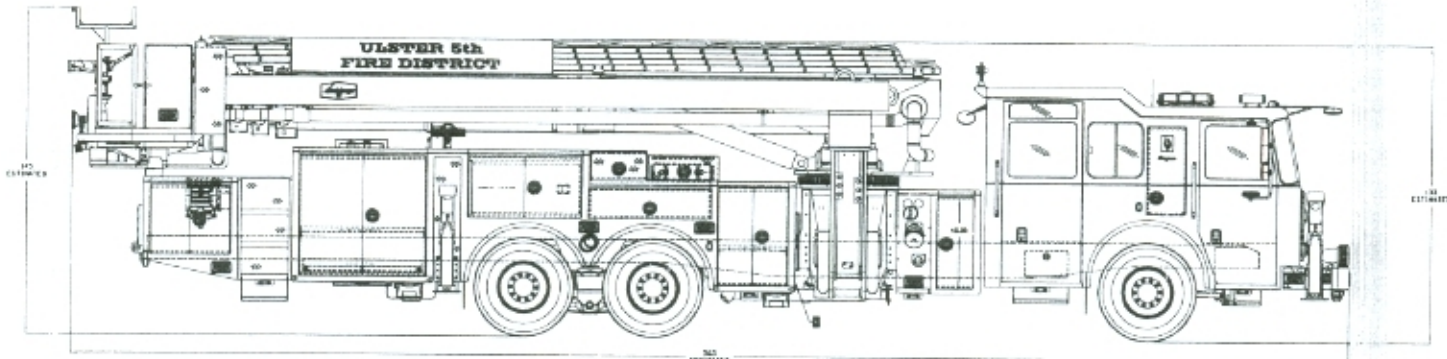


ED

APPROVED



NOTES: 1. ALL DIMENSIONS ARE TO CENTER UNLESS OTHERWISE SPECIFIED.  
 2. ALL DIMENSIONS ARE TO CENTER UNLESS OTHERWISE SPECIFIED.  
 3. ALL DIMENSIONS ARE TO CENTER UNLESS OTHERWISE SPECIFIED.  
 4. ALL DIMENSIONS ARE TO CENTER UNLESS OTHERWISE SPECIFIED.  
 5. ALL DIMENSIONS ARE TO CENTER UNLESS OTHERWISE SPECIFIED.



CONSTRUCTION DATA ARE APPROVED SUBJECT TO DIMENSIONAL DEVIATIONS AS MAY OCCUR OR BE NECESSARY IN CONSTRUCTION. THE INDICATED VEHICLE WEIGHT REPRESENTS A CALCULATED WEIGHT. THE ACTUAL WEIGHT OF THE UNIT AS SHIPPED FROM THE FACTORY MAY VARY. THE AERIAL CAPACITY IS A CALCULATED WEIGHT. THE ACTUAL CAPACITY MAY VARY DEPENDENT UPON THE STYLE AND WEIGHT OF THE AERIAL. DIMENSIONS NOT SHOWN WHERE THERE MAY BE DISCREPANCY BETWEEN THE ILLUSTRATION AND THE SALES ORDER. THE ORIGINAL SALES ORDER & ALL APPROVED SALES CHANGES WILL PREVAIL.

REV. A	09/14/2007	UPDATED PER CONVERSATION DEALER AND CUSTOMER REQUEST	REVISED BY:	UNIT DESCRIPTION	AERIAL 95 AERIALSCOPE FOAM N/A WATER N/A PUMP N/A BODY STYLE SFA BODY MATERIAL 304L2 S/S ENGINE SERIALS 60 500 4P-07-W/DP CAB M1 RRS	APPROVED	APPROVAL SIGNATURE: APPROVAL DATE: PREPARED BY: TRAY LAMBRECHT SALES REPRESENTATIVE: BILLY BERNARDI	DEPARTMENT: ULSTER 5th FIRE DISTRICT KINGSTON, NEW YORK	DEALER: SAUTO TORO SULLY FIRE EQUIPMENT SALES, INC.	SALES ORDER NO: 56136	SALES DISTRICT: 1000	SALES OFFICE: 1000	SALES PHONE: 1000	SALES FAX: 1000	SALES EMAIL: 1000	SALES WEBSITE: 1000	SALES ADDRESS: 1000	SALES CITY: 1000	SALES STATE: 1000	SALES ZIP: 1000	SALES COUNTRY: 1000
--------	------------	--	-------------	------------------	---	----------	--	--	--	-----------------------	----------------------	--------------------	-------------------	-----------------	-------------------	---------------------	---------------------	------------------	-------------------	-----------------	---------------------

**SAUTO TORO**  
 Fire Apparatus  
 100 E. 12th St  
 Kingston, NY 12401

**ULSTER 5th FIRE DISTRICT**  
 KINGSTON, NEW YORK

SALES ORDER NO: 56136

SALES DISTRICT: 1000

SALES OFFICE: 1000

SALES PHONE: 1000

SALES FAX: 1000

SALES EMAIL: 1000

SALES WEBSITE: 1000

SALES ADDRESS: 1000

SALES CITY: 1000

SALES STATE: 1000

SALES ZIP: 1000

SALES COUNTRY: 1000